

**Product Code:**

SPD/T2

**Product Range:**

Surge Arresters

**Issue Date:**

02/08/2019

**Issue by:**

A.M.

**Description:**

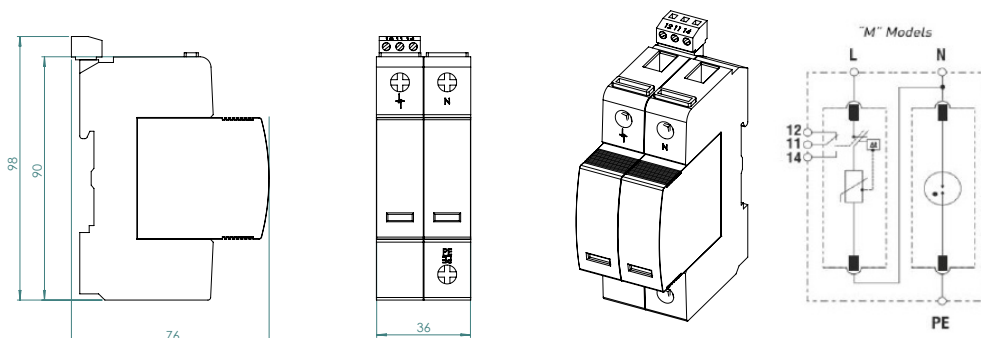
2 Module surge protection device

**Features:**

- Type 2 protection
- 12kV Rating
- Dinrail mounting


**Technical:**

Designation according to EN 61643-11		Type 2
Designation according to IEC 61643-1		Class II
Nominal voltage AC 50-60 Hz	Un [V]	230/-
Maximum continuous operating voltage (L-N)	Uc (L-N) [V]	275
Maximum continuous operating voltage (N-PE)	Uc (N-PE) [V]	265
Maximum discharge current (8/20) (L-N)	I <sub>max</sub> (L-N) [kA]	40
Nominal discharge current (8/20) (L-N)	I <sub>n</sub> (L-N) [kA]	20
Voltage protection level (L-N) at I <sub>n</sub>	Up (L-N) [kV]	≤ 1,3
Voltage protection level (N-PE) at I <sub>n</sub>	Up (N-PE) [kV]	≤ 1,5
Maximum backup fuse	A [gL]	125
Short circuit withstand	I <sub>cc</sub> [kA]	25
Response time (L-N)	t <sub>A</sub> [ns]	25
Response time (N-PE)	t <sub>A</sub> [ns]	100
Following current (N-PE)	I <sub>fi</sub> [A]	100
Visual end of life indication		Yes
Dynamic thermal disconnection (L-N)		Yes
Insulating material & flammability class		PA66 CT1; V-0
Enclosure		IP 20

**Dimensions:**


**Product Code:**

SPD/T2

**Product Range:**

Surge Arresters

**Issue Date:**

02/08/2019

**Issue by:**

A.M.

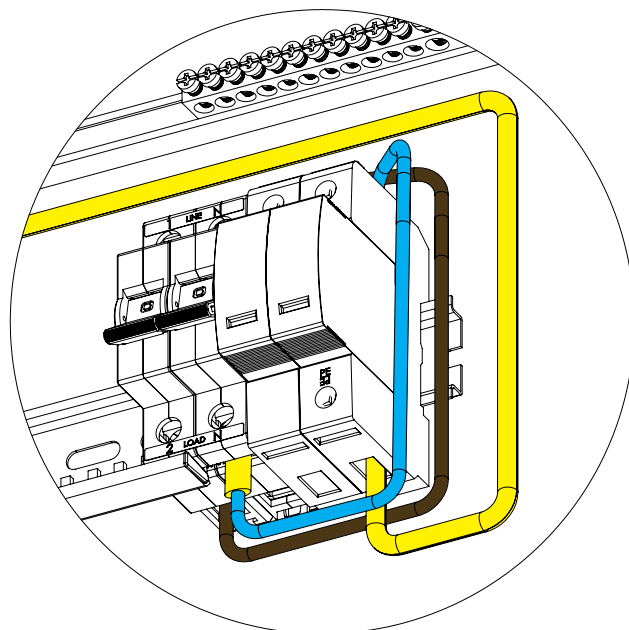
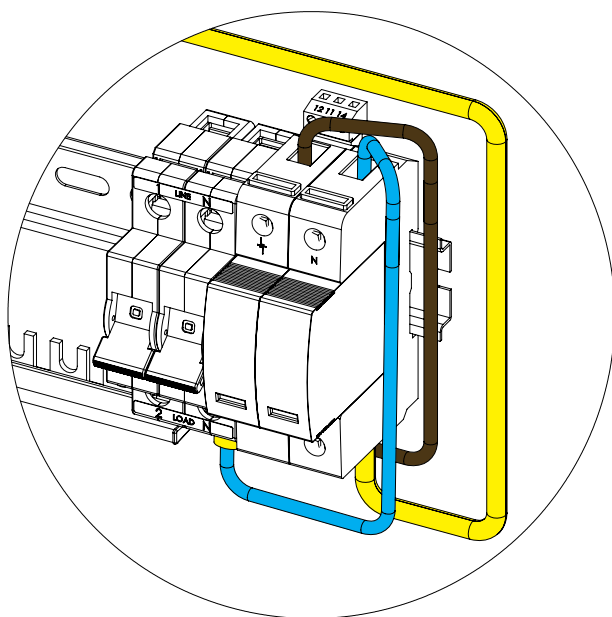
**Description:**

2 Module surge protection device



**Wiring Diagram:**

The following diagram illustrates the termination method to be used for consumer units with Isolator or RCD Incomers only. Please take note of cable sizes, termination points and ferrules / crimps as required. For any further information, please contact our technical team.



**Cable Size:**

Minimum 4.0 mm<sup>2</sup>

Maximum 16.0 mm<sup>2</sup>