

Product Data Sheet



Product Code: XL4S1MD	Issue No. A	Issue Date: 27/10/2017	Issue by: T. Tombs
---------------------------------	-----------------------	---------------------------	-----------------------

Description

4 Way TP mcb distribution board with 100A 4P switch disconnecter incomer and 100A direct connected non-tariff kWh meter with L.C.D display and volt free pulse output contact.

Max. mcb – 63A. Extra width and depth enclosure to accommodate additional cables when using RCBO's with neutral leads.

General Characteristics

Standards.	BS EN 61439-1&3
Current rating.	100A - AC22B.
Voltage rating.	400V a.c.
Fault current rating.	10kA lcc.
Enclosure.	1.2mm cold rolled steel with an epoxy paint finish to RAL7035 matt grey.
IP Rating.	IP 3X
Pollution degree.	3
No of poles.	3 + neutral
Incomer terminal capacity.	50mm.sq.
Incomer terminal tightening torque.	2 – 2.5 Nm.
Cable entry facility.	Top & bottom endplates removable for ease of cutting.
Covers / Door.	Side hinged solid door (removable) c/w metal turn catch.
No of Outgoing TP ways.	4
Equipment type.	Fixed stationary
Approx. Weight.	10.5 kg



8 way shown for illustrative purposes only.



L.C.D non-tariff kWh meter.

Switchgear Fitted

Device	Rating
4 pole switch disconnecter	100A

General Device Specification – Outgoing Switchgear ordered separately

MCB:	Please refer to Device data sheet for further information. 6 to 63A SP, DP and TP mcb's, type's B, C & D. 6A to 45A single module RCBO's, types B & C. Compact RCBO's, types B & C. Isolator and mcb dolly locks available.
-------------	---

Product Data Sheet

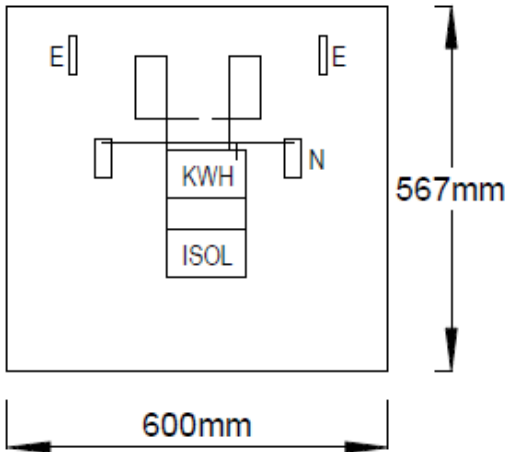


Product Code: XL4S1MD	Issue No. A	Issue Date: 27/10/2017	Issue by: T. Tombs
---------------------------------	-----------------------	---------------------------	-----------------------

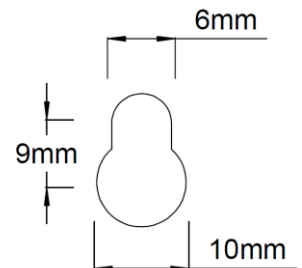
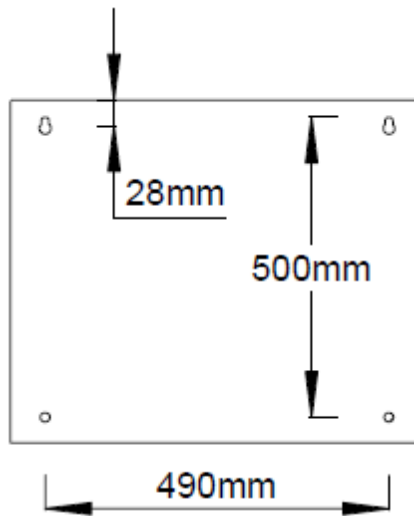
Description

4 way TP metered mcb board.

Key Dimensions	Mounting hole positions	Fixing foot detail.
----------------	-------------------------	---------------------



Depth 132mm



Additional information.

Usage

Intended for use by ordinary persons or instructed persons.

Electrical

Earth terminal M10 main bolt, 30Nm. Outgoing terminals: 8 x 25mm.sq, others 16mm.sq. Earth & neutral bar both sides of case.

Rated frequency: 50Hz.

Rated operational voltage: 230/400V a.c.

Rated insulation voltage: 690V a.c.

Earthing system: Suitable for use with TN-S, TN-C-S and TT systems.

EMC environment: Environment type A.

Physical

Ambient operating temperature -5 to 40 °C

(Not exceeding average of 35 °C in any 24 hour period).

Maximum altitude 2000m.

Enclosure: Folded mild steel enclosed assembly. Powder coated in hard wearing epoxy matt light grey paint to RAL 7035.

Installation

Service conditions: Wiring of this product must comply with current IEE regulations. Units are intended for indoor use and dry conditions and **NOT** where high levels of humidity and temperature are experienced.

Note: IP rating of enclosures can be compromised if correct use of glands is not followed when installing unit.